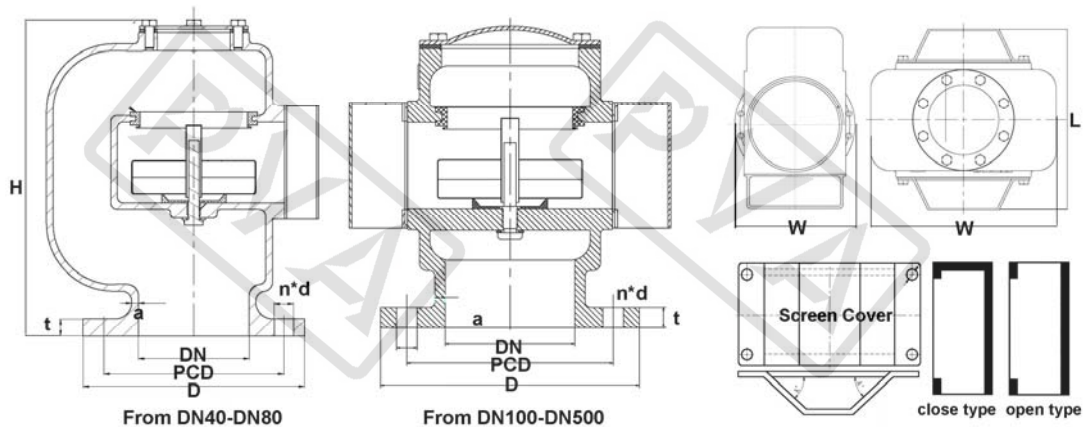


JIS10K AIR VENT HEAD JIS-KS91A-121 TYPE (Disc Float Type)



Technology info	
Close type for oil tank	Open type for water and oil tank

Main material for fittings			
Item	Fittings	Material	Mark
1	Body	Cast Iron/Cast Ductile Iron	FC200/FCD450
2	Disc Float	Stainless Steel	SS304
3	Rubber Ring / Sealing	NBR	
4	Cover	Stainless Steel	SS400+Galvanize/SS304
5	Frame & Insect net	Stainless Steel	SS304
6	Screen cover	Stainless Steel	SS400+Galvanize/SS304
7	Guide bolt / Bolt / Nut / Cushion	Stainless Steel	SS304

Main dimension for construction							mm
DN	Flange Diam	Flange PCD	Flange Hole	Thickness	Length	Width	Height
mm	D	PCD	n* ϕ d	t	L	W	H
50	155	120	4× ϕ 19	14	140	190	190
65	175	140	4× ϕ 19	14	150	210	230
80	185	150	8× ϕ 19	14	170	240	270
100	210	175	8× ϕ 19	16	260	240	230
125	250	210	8× ϕ 23	16	290	280	270
150	280	240	8× ϕ 23	18	330	320	330
200	330	290	12× ϕ 23	20	450	400	410
250	400	355	12× ϕ 25	22	480	550	500
300	445	400	16× ϕ 25	22	560	620	560
350	490	445	16× ϕ 25	24	680	730	610
400	560	510	16× ϕ 27	24	740	760	690
450	650	565	20× ϕ 27	24	820	840	780
500	675	620	20× ϕ 27	24	904	917	800

Design	Check	Signature	Logo	Supplier
asbsey	Chrit	Figor		PROMET VALVES AUSTRALIA
JAN.01,2013	JAN.01,2013	JAN.01,2013		

PROMET VALVES AUSTRALIA

1A Green Road Woodville West SA 5011 Australia / Tel:+61 8 8268 1777 / Fax:+61 8 8268 1711
 promet@prometvalves.com / www.prometvalves.com / ABN 47 096 425 697