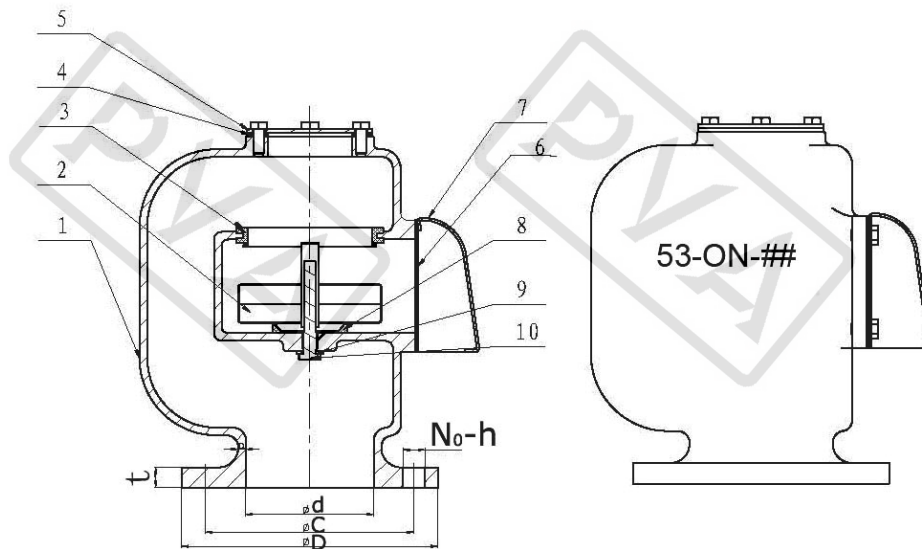


JIS5K 53-ON TYPE AIR VENT HEAD DISC FLOAT TYPE



Main material for fittings			
Item	Fittings	Material	Mark
1	Body	Cast Iron/Cast Ductile Iron	FC200/FCD450
2	Disc Float	Stainless Steel	SS304
3	Rubber Ring / Sealing	NBR	
4	Cover	Stainless Steel	SS400+Galvanize/SS304
5	Frame & Insect net	Stainless Steel	SS304
6	Screen cover	Stainless Steel	SS400+Galvanize/SS304
7	Guide bolt / Bolt / Nut / Cushion	Stainless Steel	SS304

Main dimension for construction				
				mm
DN	Flange Diam	Flange PCD	Flange Hole	Thickness
mm	D	PCD	n* \varnothing d	t
53-ON 5K50	130	105	4 \times \varnothing 15	14
53-ON 5K65	155	130	4 \times \varnothing 15	14
53-ON 5K80	180	145	4 \times \varnothing 19	14
53-ON 5K100	200	165	8 \times \varnothing 19	16
53-ON 5K125	235	200	8 \times \varnothing 19	16
53-ON 5K150	265	230	8 \times \varnothing 19	18
53-ON 5K200	320	280	8 \times \varnothing 23	20
53-ON 5K250	385	345	12 \times \varnothing 23	22

Design	Check	Signature	Logo	Supplier
asbsey	Chrit	Figor		PROMET VALVES AUSTRALIA
JAN.01,2013	JAN.01,2013	JAN.01,2013		

PROMET VALVES AUSTRALIA

1A Green Road Woodville West SA 5011 Australia / Tel:+61 8 8268 1777 / Fax:+61 8 8268 1711
 promet@prometvalves.com / www.prometvalves.com / ABN 47 096 425 697