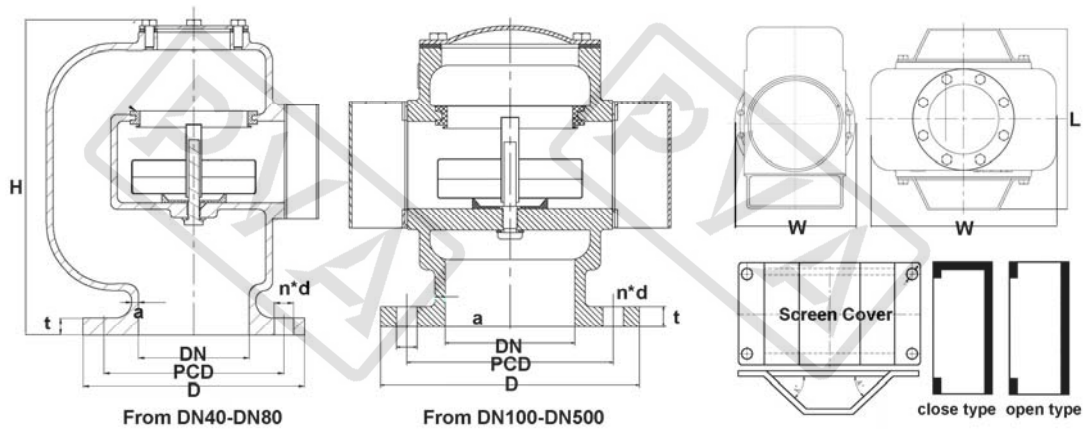


DIN PN6 AIR VENT HEAD Disc Float Type



Technology info	
Close type for oil tank	Open type for water and oil tank

Main material for fittings			
Item	Fittings	Material	Mark
1	Body	Cast Iron/Cast Ductile Iron	FC200/FCD450
2	Disc Float	Stainless Steel	SS304
3	Rubber Ring / Sealing	NBR	
4	Cover	Stainless Steel	SS400+Galvanize/SS304
5	Frame & Insect net	Stainless Steel	SS304
6	Screen cover	Stainless Steel	SS400+Galvanize/SS304
7	Guide bolt / Bolt / Nut / Cushion	Stainless Steel	SS304

Main dimension for construction							mm
DN	Flange Diam	Flange PCD	Flange Hole	Thickness	Length	Width	Height
mm	D	PCD	n* ϕ d	t	L	W	H
50	140	110	4× ϕ 14	14	140	190	190
65	160	130	4× ϕ 14	14	150	210	230
80	190	150	4× ϕ 18	14	170	240	270
100	210	170	4× ϕ 18	16	260	240	230
125	240	200	8× ϕ 18	16	290	280	270
150	265	225	8× ϕ 18	18	330	320	330
200	320	280	8× ϕ 18	20	450	400	410
250	375	335	12× ϕ 18	22	480	550	500
300	440	395	12× ϕ 22	22	560	620	560
350	490	445	12× ϕ 22	24	680	730	610
400	540	495	16× ϕ 22	24	740	760	690
450	595	550	16× ϕ 22	24	820	840	780
500	645	600	20× ϕ 22	24	904	917	800

Design	Check	Signature	Logo	Supplier
asbsey	Chrit	Figor		PROMET VALVES AUSTRALIA
JAN.01,2013	JAN.01,2013	JAN.01,2013		

PROMET VALVES AUSTRALIA

1A Green Road Woodville West SA 5011 Australia / Tel:+61 8 8268 1777 / Fax:+61 8 8268 1711
 promet@prometvalves.com / www.prometvalves.com / ABN 47 096 425 697